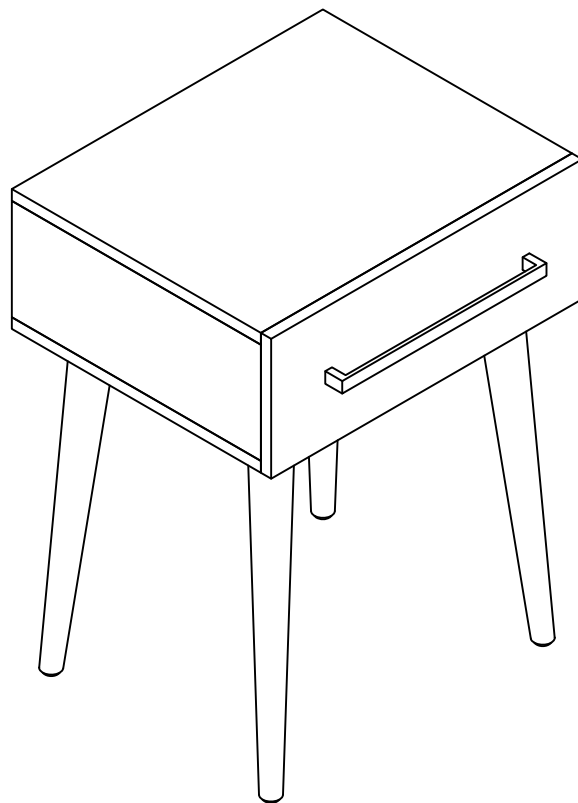
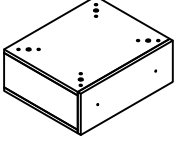









End Table
CF6125



PART LIST

<div data-bbox="97 143 150 197" style="border: 1px solid black; padding: 2px;">A</div> 	<div data-bbox="373 143 427 197" style="border: 1px solid black; padding: 2px;">B</div> 
<p style="text-align: center;">Top Panel</p> <p style="text-align: center;">1 PC</p>	<p style="text-align: center;">Leg</p> <p style="text-align: center;">4 PCS</p>

HARDWARE LIST

<div data-bbox="97 687 150 741" style="border: 1px solid black; padding: 2px;">#1</div>  <p style="text-align: center;">M6x15</p>	<div data-bbox="373 687 427 741" style="border: 1px solid black; padding: 2px;">#2</div> 	<div data-bbox="651 687 705 741" style="border: 1px solid black; padding: 2px;">#3</div>  <p style="text-align: center;">Ø9mmx5/32"x1"</p>	<div data-bbox="928 687 983 741" style="border: 1px solid black; padding: 2px;">#4</div>  <p style="text-align: center;">M4</p>
<p style="text-align: center;">Bolt</p> <p style="text-align: center;">8 PCS (Extra 1)</p>	<p style="text-align: center;">Handle</p> <p style="text-align: center;">1 PC</p>	<p style="text-align: center;">Round Head Bolt</p> <p style="text-align: center;">2 PCS</p>	<p style="text-align: center;">Allen Wrench</p> <p style="text-align: center;">1 PC</p>

ADDITIONAL TOOLS (Not Provided)

Note: It is not recommended to use power tools during assembly.



Phillips Head Screwdriver

